

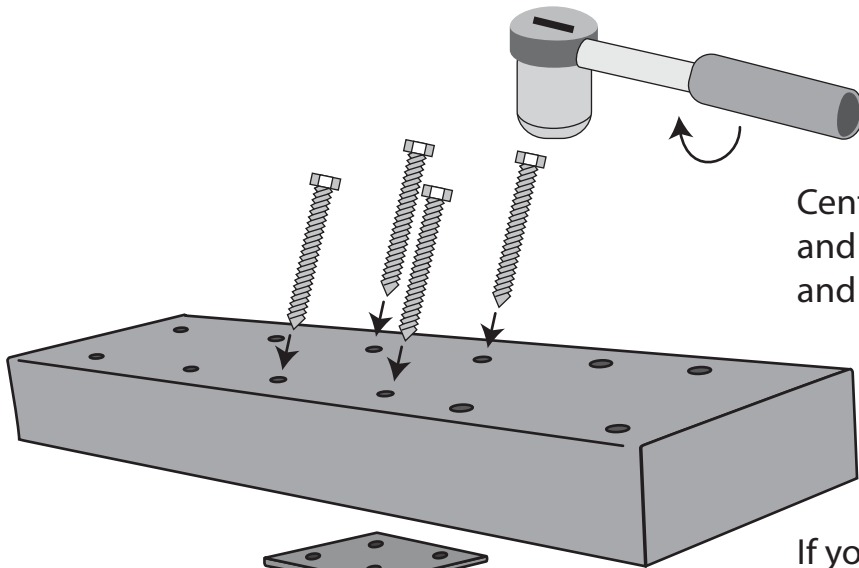


Spreader Bar

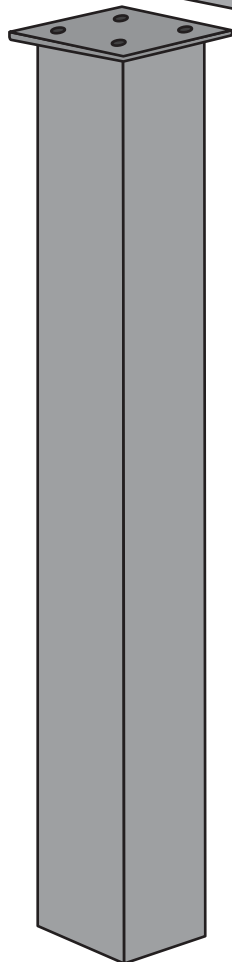
Congratulations on the purchase of your Mail Boss spreader bar. Our spreader bars are constructed of 12 gauge galvanized, powder coated steel. Mail Boss spreader bars are designed to be used in conjunction with the curbside Mail Boss locking mailbox, and/or a Mail Boss post.

If you require assistance with assembly or part replacement, or for any other matter, contact the toll-free Epoch Design Service Center from anywhere in the Continental United States, Monday through Friday, 9 AM - 5 PM Pacific Standard Time at 1-800-589-7990. You may also email your request or comments to info@mailboss.com and a service representative will respond. You can also find helpful hints and tips on our website: <http://www.mailboss.com>.

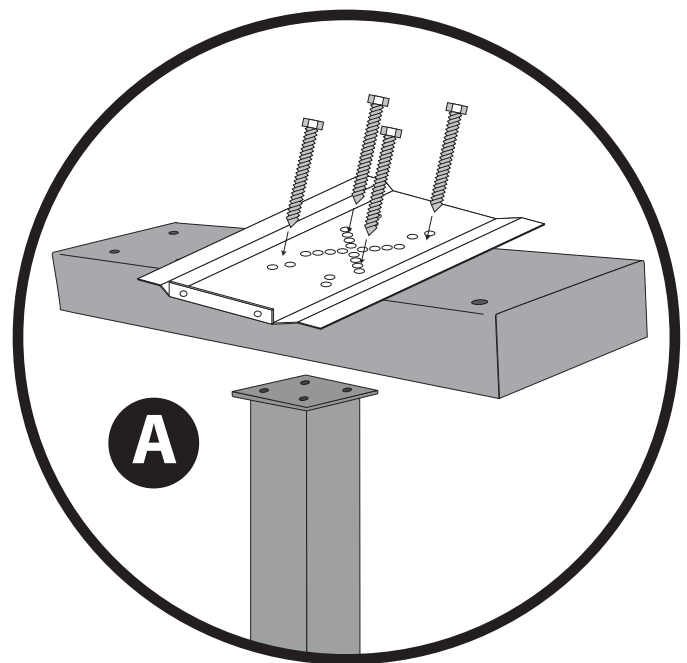
**BEFORE INSTALLING THE SPREADER BAR
MAKE SURE YOUR POST IS FULLY SECURED INTO THE GROUND.**



Center the spreader bar on the post and secure the spreader bar by inserting and tightening the 4 bolts included.



If you're installing a mailboss with a mounting plate on a 3 box spreader, install the 4 bolts through the mounting plate first, then through the spreader bar, and lastly through the post to secure them. **FIGURE A.**



Have a question?... Need a part ASAP?...1-800-589-7990

Copyright © 2018 Epoch Design™ All rights reserved